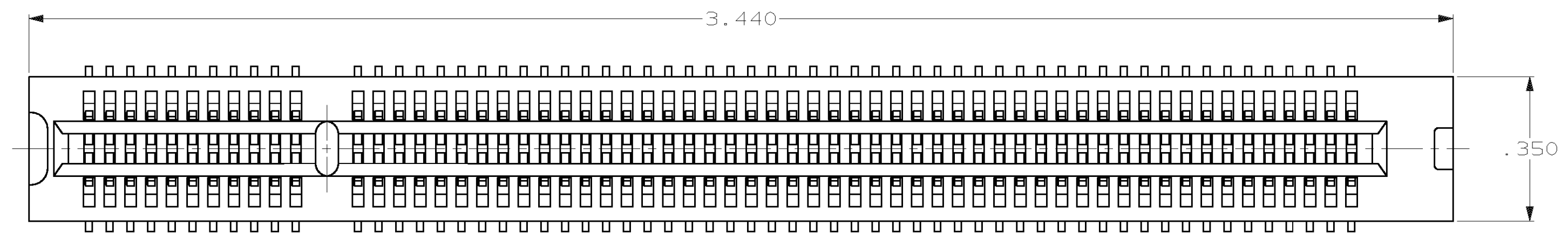
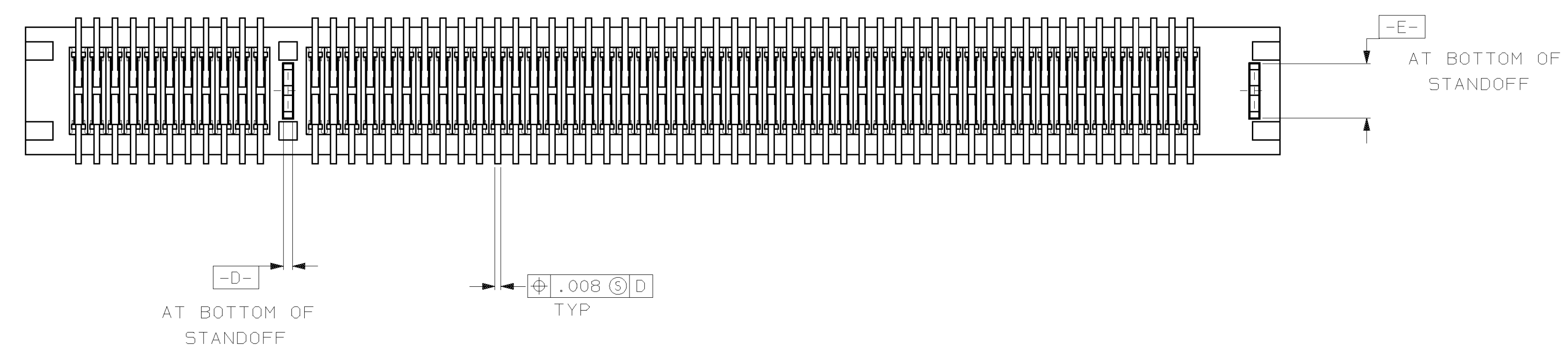
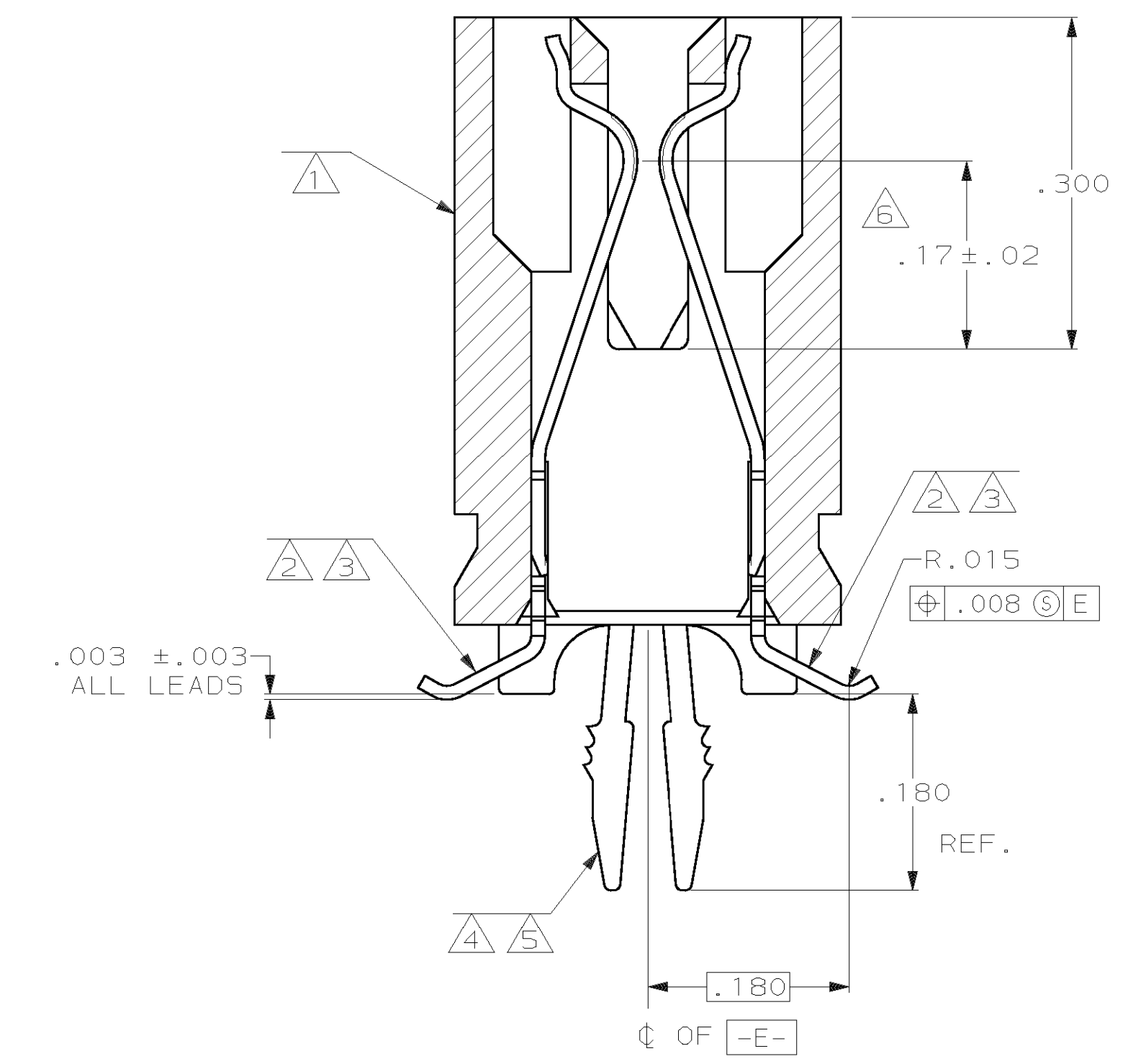
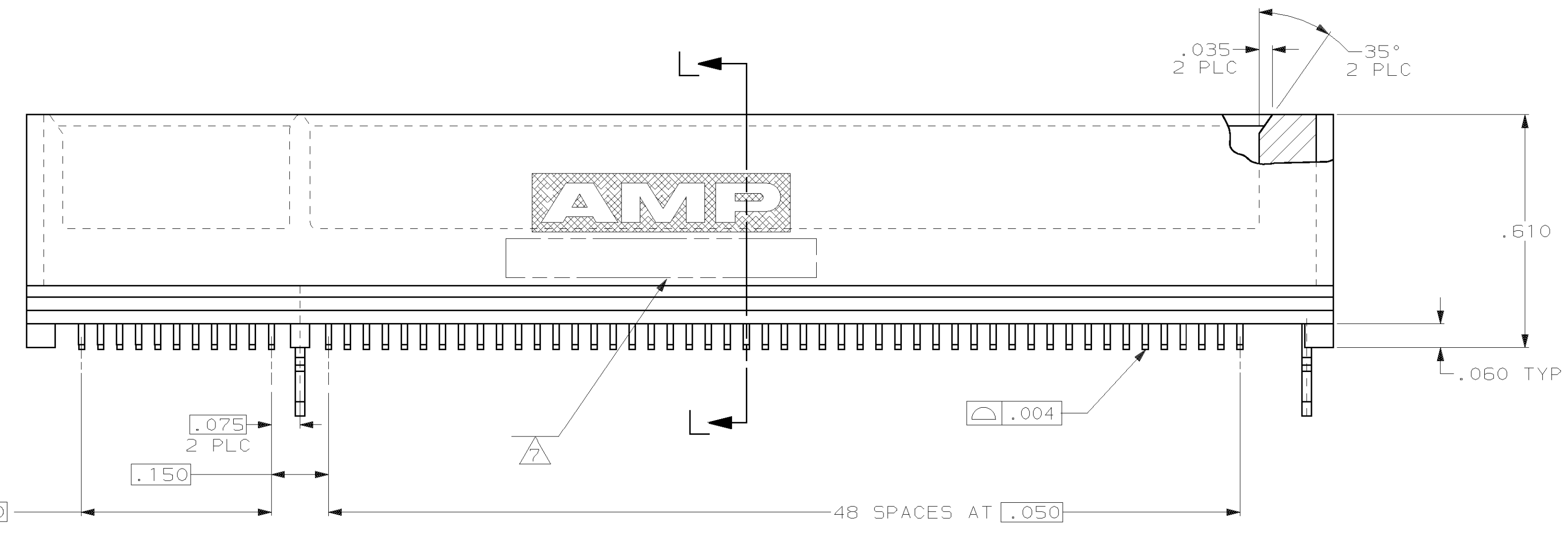


LOC		DIST		REV		ZONE		LTR		REVISIONS		DATE	APPD
GP	00	P	F					E		REVISD PER EC 051B-0094-00	12JUN00	JG	
								F		REV PER 051B-0112-00	05/12/00	PD	



- ① HOUSING: HIGH TEMPERATURE THERMOPLASTIC.
- ② CONTACT: PHOSPHOR BRONZE.
- ③ CONTACT FINISH: .000100 MIN NICKEL ALL OVER.  
.000030 MIN GOLD OVER NICKEL IN CONTACT AREA.  
.000100 MIN TIN-LEAD OVER NICKEL ON SOLDER TAILS.
- ④ METAL HOLD DOWN: BRASS
- ⑤ METAL HOLD DOWN FINISH: .000050 MIN NICKEL ALL OVER,  
.000150 MIN TIN-LEAD ALL OVER.
- ⑥ DISTANCE FROM CONTACT POINT TO BOTTOM OF CARD SLOT.
- ⑦ AMP PART NUMBER, DATE CODE AND CSA LOGO MARKED IN APPROXIMATE AREA SHOWN.



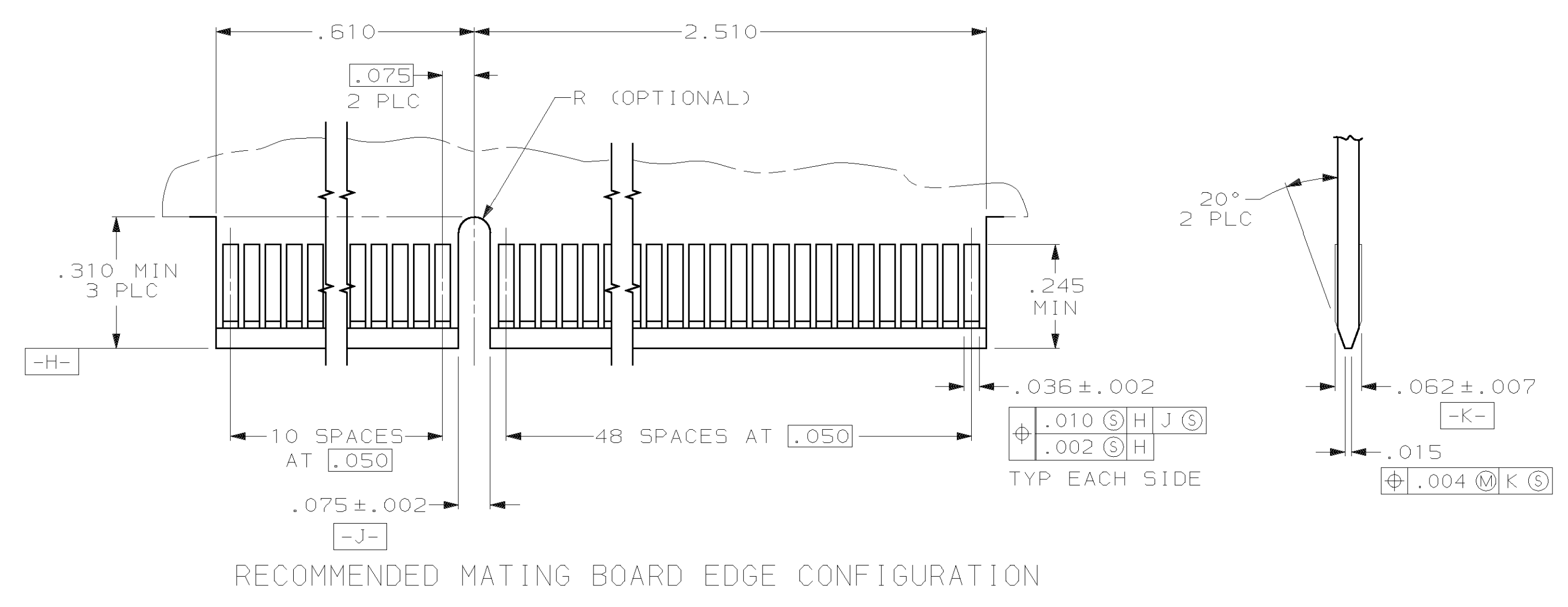
SECTION L-L  
SCALE 8:1

145098-1 AS SHOWN

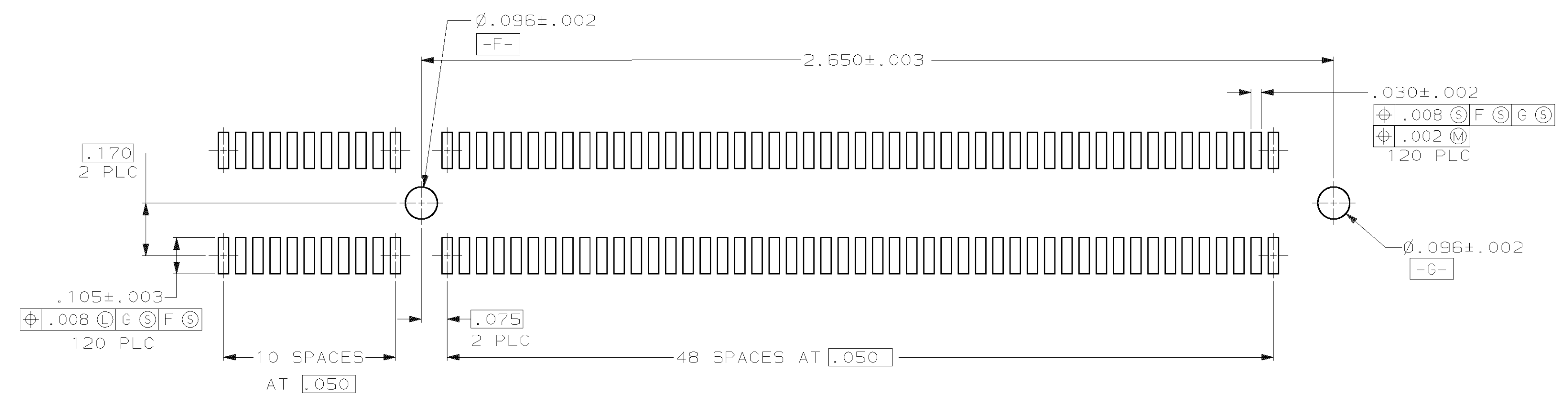
DO NOT SCALE PRINT. UNLESS SPECIFIED DIMENSIONS IN mm [INCHES] TOLERANCES ON: 2 PLC DEC ± .01 3 PLC DEC ± .005 ANGLES ± 2°		DR 8/8/94 R BROWN		PART NO	
MATERIAL		CHK 8/8/94 L SCHMID		AMP AMP Incorporated Harrisburg, PA 17105-3508	
FINISH		APPD 8/8/94 L SCHMID		NAME	
		APPD 8/8/94 M THUMMA		CONNECTOR ASSEMBLY, 60 DUAL POSITION, .050 SERIES, STANDARD EDGE SURFACE MOUNT	
		PRODUCT SPEC		SIZE	
		APPLICATION SPEC		D 00779	
		WEIGHT		CAGE CODE	
				00779	
				DRAWING NO	
				C-145098	
				SCALE	
				4:1	
				SHEET	
				1 OF 2	

THIS DRAWING IS A CONTROLLED DOCUMENT FOR AMP INCORPORATED. IT IS SUBJECT TO CHANGE AND THE CONTROLLING ENGINEERING ORGANIZATION SHOULD BE CONTACTED FOR THE LATEST REVISION.

LOC		DIST		P		ZONE		LTR		REVISIONS		DATE	APPD
GP	00										DESCRIPTION		
											SEE SHEET 1		



RECOMMENDED MATING BOARD EDGE CONFIGURATION



RECOMMENDED PC BOARD PATTERN  
(CONNECTOR SIDE SHOWN)

DO NOT SCALE PRINT. UNLESS SPECIFIED DIMENSIONS IN mm [INCHES] TOLERANCES ON: 2 PLC DEC ± .01 3 PLC DEC ± .005 ANGLES ± 2°	DR 8/8/94 R BROWN	AMP Incorporated Harrisburg, PA 17105-3508	NAME	
	CHK 8/8/94 L SCHMID		CONNECTOR ASSEMBLY, 60 DUAL POSITION, .050 SERIES, STANDARD EDGE	
MATERIAL	APPD 8/8/94 L SCHMID	PRODUCT SPEC	108-14034	
FINISH	APPD 8/8/94 M THUMMA	APPLICATION SPEC	114-26012	SIZE D
	WEIGHT			CAGE CODE 00779
				DRAWING NO 145098
		SCALE	4:1	SHEET 2 OF 2